

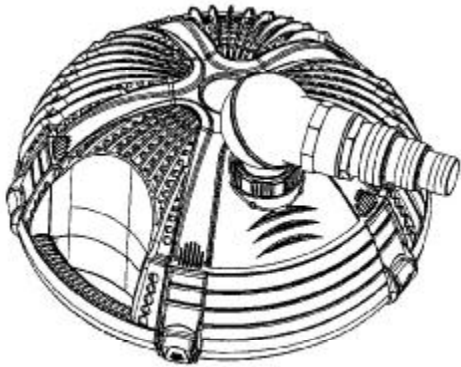
HAILEA®

SINCE 1989

ISO9001:2000 ISO14001:2004

P SERIES POND PUMP

Instruction Manual



MODEL
P4000/P5000/P8000/P12000/
P15000/P20000/P23000/P25000

Before operating this appliance, please read this instruction manual completely and keep it handy for future reference.



HAILEA® P SERIES POND PUMP

■ PREFACE

Thanks a lot for purchasing a HAILEA P series pond pump. The series of pumps are characterized by large flow, high efficiency, energy saving, stability, sturdiness and durability. For optimum performance and safety, please read these operating instructions completely before operating this product.

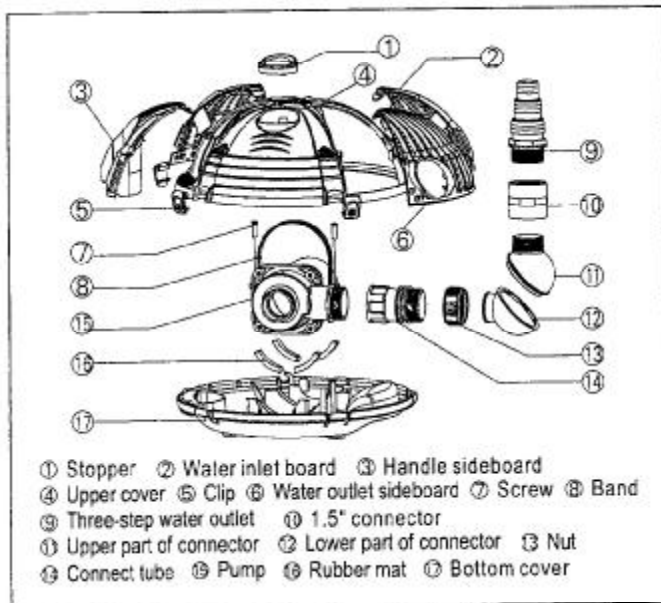
■ FEATURES

1. Professionally designed impeller, higher efficiency & more energy saving.
2. Adopts ceramic bearings for continuous use.
3. All the electrical parts are embedded in a block of plastic resin.
4. Overload protection by means of a thermal overload trip.
5. Water inlet board, upper cover, etc. are made from high quality plastics. Sturdy and durable.
6. Multi-purpose 3-step connector, convenient to install and use.

<1>

HAILEA® P SERIES POND PUMP

■ PARTS LIST



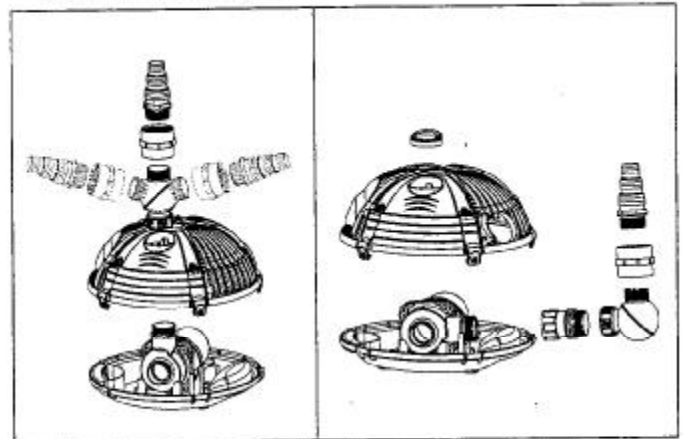
■ APPLICATION

Ideal for filter systems of all kinds of ponds. Also suitable to make fountains when matched with jet assembly.

<2>

HAILEA® P SERIES POND PUMP

■ INSTALLATION & CONNECTION



■ USAGE CAUTION

(1) BEFORE OPERATION

1. Check the power voltage and frequency if conformed with those on the nameplate.
2. The pump must be supplied through a residual current device (RCD) having a rated residual operating current not exceeding 30mA.
3. Don't lift, lower or carry the pump by the power cord.

<3>

- Always switch off the mains before doing any maintenance or placing your hands in the water to which this pump is connected.
- Do not add any lubricant for the appliance, do not operate the pump without water. It will damage the pump. If so, switch off immediately and examine.
- It is prohibited to apply for water which temperature is higher than 40°C as it shortens the life of the pump.
- It should be unplugged before examination.

(2) THE POND PUMP SHOULD NOT BE USED IF

- Power supply cord or other important parts is damaged in any way. The power supply cord cannot be replaced. If the cord is damaged, the appliance should be scrapped.
- The pump with a wet plug or a wet receptacle.
- Discharge of pump is reduced.
- Some part is broken and water leaks in.
- Anything abnormal occurs.

(3) DURING OPERATION

- Shut off the power immediately to prevent the motor

<4>

- from being burned out when the motor is overloaded due to the clogging with foreign matters.
- Please consult with your local dealers or our branch office where you purchased the unit if you do not find out the cause of the trouble. Unauthorized person is prohibited to disassemble or assemble as it may result in the inferior of capacity or even motor damage.
 - It should be unplugged before examination.

■ TECHNOLOGY DATA

Model	Voltage	Freq.	Power	Output	Max Jet	Diameter	Weight	Size
P4000	110-120V 220-240V	60/50Hz	45W	3600L/h	2.0m	φ 1½"	10.2kg	348x348x175mm
P5000	110-120V 220-240V	60/50Hz	54W	4800L/h	2.1m	φ 1½"	10.2kg	348x348x175mm
P8000	110-120V 220-240V	60/50Hz	72W	7150L/h	2.5m	φ 1½"	10.5kg	348x348x175mm
P12000	110-120V 220-240V	60/50Hz	135W	10850L/h	3.4m	φ 1½"	10.9kg	348x348x175mm
P15000	110-120V 220-240V	60/50Hz	170W	14200L/h	4.1m	φ 1½"	12.6kg	348x348x175mm
P20000	110-120V 220-240V	60/50Hz	210W	17900L/h	5.5m	φ 1½"	13.5kg	348x348x175mm
P23000	110-120V 220-240V	60/50Hz	330W	22000L/h	5.7m	φ 1½"	14.1kg	348x348x175mm
P25000	110-120V 220-240V	60/50Hz	375W	24300L/h	6.3m	φ 1½"	14.2kg	348x348x175mm

<5>

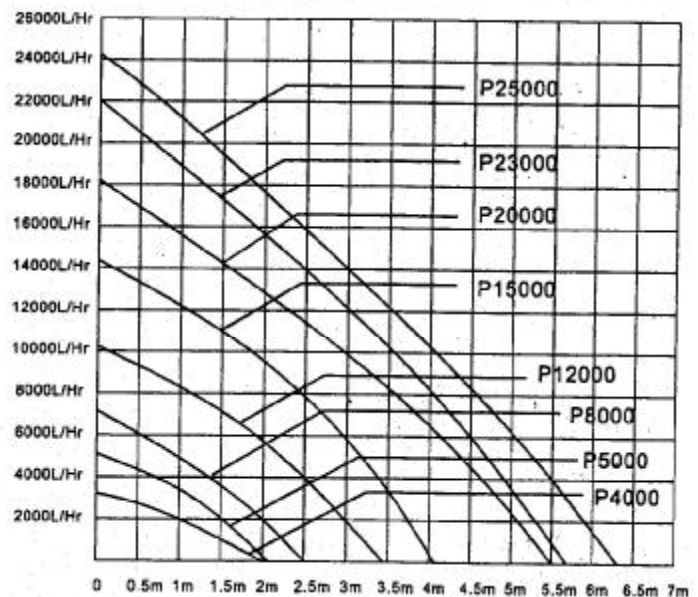
■ A GUIDE TO SOLVE SIMPLE PROBLEMS

Before calling service personnel, please check the following chart for a possible cause to the trouble you are experiencing.

SYMPTOM	CAUSE	COUNTERMEASURE
The pump doesn't run.	Power is not turned on	Turn on the power
	Plugged in insufficiently	Plug in sufficiently
	Impeller binding	Remove foreign matters from impeller
The motor repeats on and off immediately without pump running. The motor suddenly stops and cannot be started again.	Apply to wrong voltage	Apply to correct voltage
	The water inlet or outlet pipe is clogged with foreign matters	Remove foreign matters from the pipes
The pump runs normally at the beginning but the water flows out sluggishly or there is no water.	Impeller worn out	Replace it with a new one
	Water level goes down and the pump exposed on the water source	Put the pump into water
	Hose is too long or clogged with foreign matters	Shorten the hose or clean up inside
	There is air in the impeller chamber (Only when used outside water)	In order to get rid of the air, put the pump into the water. Turn the switch to "ON" then "OFF" intermittently twice or 3 times

<6>

■ PERFORMANCE CURVE



Guangdong Hailea Group Co., Ltd
 Hailea Group Co., Ltd
 Factory Address: Sini Industrial Zone, Sini Road, Raoping County, Guangdong Province, 515700, China
 Tel: 86-788-8888888 Fax: 86-788-8888813
 www.hailea.com E-mail: info@hailea.com

Hailea Group Co., Ltd
 Guangzhou Overseas Sales
 24/F, East Tower, Twin City International Plaza, No. 263, Huasui Road, Zhujiang New City, Guangzhou City, Guangdong Province, 510623, China
 Tel: 86-20-3837 2688 Fax: 86-20-3837 2791

<7>